

# Patina™

## TREAX Series



The TREAX™ Series of Luminaires were designed as a high efficiency, state of the art replacement for both conventional high-bay and fluorescent lighting installation's.

This fitting operates with a multi-wattage, two TL5 fluorescent lamp configuration and is ideal for mountings which are positioned at heights greater than 4.5 metres and/or up to 15 metres.



Light	Output	Ratio
NARROW POSITION	MEDIUM POSITION	WIDE POSITION
104.2%	101.5%	98.8%

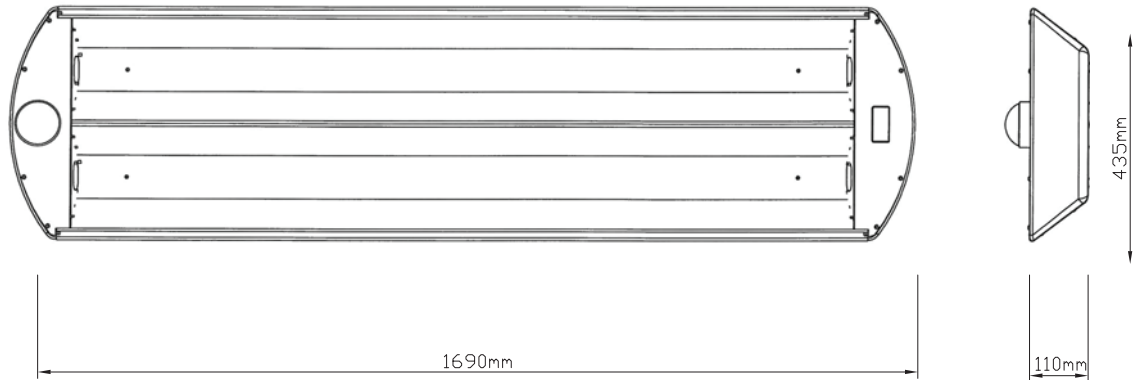
### Features ...

*The TREAX is also ideal -*

- Operating in damp or dusty environments,
- Operating in environments where health and safety regulations stipulate the use of enclosed fittings.
- Material: High quality Zintec steel powder-coated.
- Narrow ,Medium and wide photometric distribution available.
- Optional optical integrated Dali programmable PS sensor providing daylight dimming and/or occupancy control.
- Reflectors: patented design in high purity Alanod Miro 4 /5 Silver material.
- No additional lighting control system required, programmed to clients preferred settings via remote control Unit

# Patina™

## Specification



Product Code	TREAX 280(CS/PS/PSLR)	TREAX 280-NS
Description	2x 80w TL5 Luminaire complete with, daylight dimming, occupancy sensing & MIRO Silver reflector	2x 80w TL5 Luminaire complete with, high frequency ballast & MIRO Silver reflector
Product family code	TREAX Series	TREAX Series
Number of lamps	2	2
Lamp family code	TL5	TL5
Lamp power	49w / 80w	49w / 80w
Lamp colour code	Customer Spec	Customer spec
Gear	High Frequency DALI	High Frequency
Optics	MIRO 4/5 Silver Aluminium	Miro 4/5 Silver Aluminium
Emergency lighting	Optional	Optional
Connection	WAGO 4 Pole	WAGO 4 Pole
Integrated Sensor	Yes- Occupancy and daylight tracking	No
Explosion hazard class	No	No
European community mark	CE mark	CE mark
ENEC mark	ENEC Mark	ENEC Mark
Supply voltage	230-240	230-240

